

# SUGARSLETTER

Sugars International LLC, Englewood, Colorado USA

## Sugars™ used for first new beet sugar factory in USA in 25 years

The first new beet sugar factory to be built in the United States in 25 years is located in Moses Lake, Washington. It is being built for the Columbia River Sugar Cooperative. The design of the factory was done by Imperial Holly Corporation which will also manage it when it is completed.

Mr. Troy Wright, Process Engineer for Imperial Holly said: "Sugars was the main tool that we used in developing the heat and material balance for the grass roots beet factory we are building in Moses Lake, Washington USA. After the model of the factory was developed, Sugars was used extensively during the design phase of the project to quickly weigh one design option against another. No changes in design were done before first analyzing them with Sugars. The data from the Sugars balance was used to size all of the pumps, piping and new process equipment that we are installing at Moses Lake."

The startup of the new factory is expected to occur in September 1998. Construction is presently proceeding on schedule.

### Other new projects

American Crystal Sugar Company used Sugars to design a new molasses desugarization plant (see example MDS flow diagram shown on back) for their Hillsboro factory. United States Sugar Corp. used Sugars for the initial material and heat balances for their new cane sugar refinery being built in Clewiston, Florida. And, other companies used Sugars to improve and, or expand their factories and/or refineries in 1996-1997.

### Sugars now in 22 countries

Sugar companies in twenty-two (22) countries of the world have purchased a license to use Sugars to improve the performance of their factories. Companies and Universities located in Germany, USA, Italy, Spain, Poland, Finland, Sweden, Tanzania, India and Argentina purchased a license to use Sugars during the last 1-1/2 years.

### Conventions Attended

Demonstrations were given in 1997 at the American Society of Sugar Beet Technologists (ASSBT) meeting in Phoenix, Arizona USA, the Sugar Industry Technologists (SIT) meeting in Montreal, Canada and the South African Sugar Technologists Association (SASTA) meeting in Durban, South Africa. Look for Sugars at the SIT meeting in Marseille, France during May 10-13, 1998.

### SASTA paper presented

A paper entitled "Simulation of the Malelane and Komati mills with Sugars simulation software" was presented at the 1997 SASTA meeting in Durban, South Africa by Mr. Nico Stolz, Transvaal Suiker Beperk. It shows the results from Sugars models built for their Komati mill and Malelane mill and refinery. The paper received a "highly commended" award.

## Windows 95 development

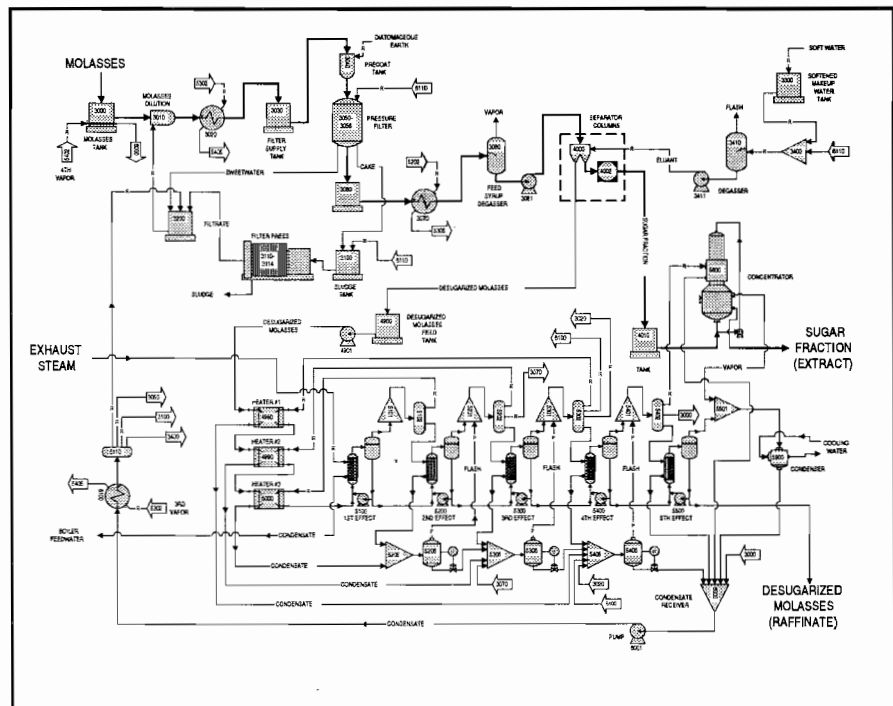
Development of the new Windows 95/NT version of Sugars is proceeding. The first showing of some of the features of this significantly new version is scheduled for the SIT meeting in Marseille, France from May 10-13, 1998. Send a fax, or E-mail message if you would like to arrange a viewing.

## Sugars and Visio

In 1997, Sugars International LLC became a Visio Business Partner Charter Member. Visio Technical is the preferred software for drawing flow diagrams of Sugars models. The new release of Visio Technical 5.0 makes drawing flow diagrams even faster because of a new connector tool that features automatic 'jump-overs' for crossing lines and other enhancements. Special templates and stencils containing shapes of sugar industry equipment and Sugars station models is provided with each copy of Visio Technical 5.0 purchased from Sugars International.

## Representative for Northern Europe

Mr. Phil Thompson was appointed the representative for Sugars International LLC in England,



Example model of molasses desugarization process.

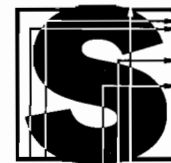
Scotland, Ireland, France, Belgium, The Netherlands, Denmark, Finland and Sweden. Mr. Thompson was formerly employed by British Sugar. He has extensive background in sugar processing technology, equipment and modeling. Mr. Thompson can be contacted at: +44-1780-783329 (phone), +44-1780-783889 (fax), phil@pdt.u-net.com (E-mail) and www.yarwell.demon.co.uk (web site). A demonstration of Sugars that was created by Mr. Thompson is available on his web site.

## E-mail address and web site

The E-mail address for Sugars International LLC was changed in 1997 to "sugars@sugarsintl.com". Messages sent to this address will be answered by return E-mail.

Also, our new web site at "www.sugarsintl.com/sugars" is being constructed, and it should be available by the time you receive this publication.

Please contact us, or visit our web site, if you would like further information.



SUGARS  
INTERNATIONAL

Sugars International LLC  
5403 S. Florence Ct.  
Englewood, CO 80111 USA  
Tel: 303-770-2630  
Fax: 303-770-2831  
E-mail: sugars@sugarsintl.com