

SUGARSLETTER

Sugars International, Englewood, Colorado USA

Faster version of SUGARS™ released with new User's Guide

Version 2.73 of SUGARS was released in May. This new version is a full 32 bit program that operates 30% to 40% faster than the previous version. Also, it does not have the memory limitations of the previous version and can simulate models with up to 1,000 flow streams, or as-many-as 800 stations. Large models of complete factories with juice softening and molasses desugarization and other process features can now be modeled with this release. Other improvements were made to enhance the operation of the program. New installation programs are included with the release to install SUGARS under either DOS, or Windows.

A new User's Guide is included with version 2.73. The new User's Guide includes many new diagrams and examples of models of different processes. Examples included in the User's Guide are: ion exchange, molasses desugarization, high pressure steam pulp drying, cold liming juice purification, four-effect evaporation, six-effect evaporation with thermocompression and standard liquor concentration, cane milling, a cane raw sugar factory (see back

of this sheet), a cane refinery, and a beet sugar factory. Many new diagrams of models for different stations in a process and for complete process models are included in the guide along with details on how to build different models. All example models are included with the new release and they are automatically installed on the hard disk during installation of the program.

Ten years of SUGARS modeling celebrated

1996 marks the 10th year following shipment of the first copies of SUGARS. The first copy of SUGARS (called PC-SUGARS at the time) was shipped to Spreckels Sugar Company, Pleasanton, California USA in May 1986. American Crystal Sugar Company, Moorhead, Minnesota USA also ordered SUGARS in 1986 and the first copy was shipped to them in August of 1986. Since 1986, both companies have used SUGARS to

model all of their factories for potential improvements and to evaluate the economic advantages of the improvements for their capital projects. Spreckels, American Crystal and other sugar companies have found close agreement between actual factory operations and the results from SUGARS.

SUGARS is leading soft- ware for sugar modeling

Sixteen (16) different countries of the world now have beet, or cane, sugar companies using SUGARS. Sugar companies in South Africa, Spain, Taiwan, Belgium and more in the USA began to use SUGARS during the last year. SUGARS is the leading software for sugar process modeling and simulation. It has been used to model hundreds of different processes, factories and refineries over the last ten years. Please contact us for a complete reference list of all the companies using SUGARS, or for more information.

Pollution control agency accepts SUGARS

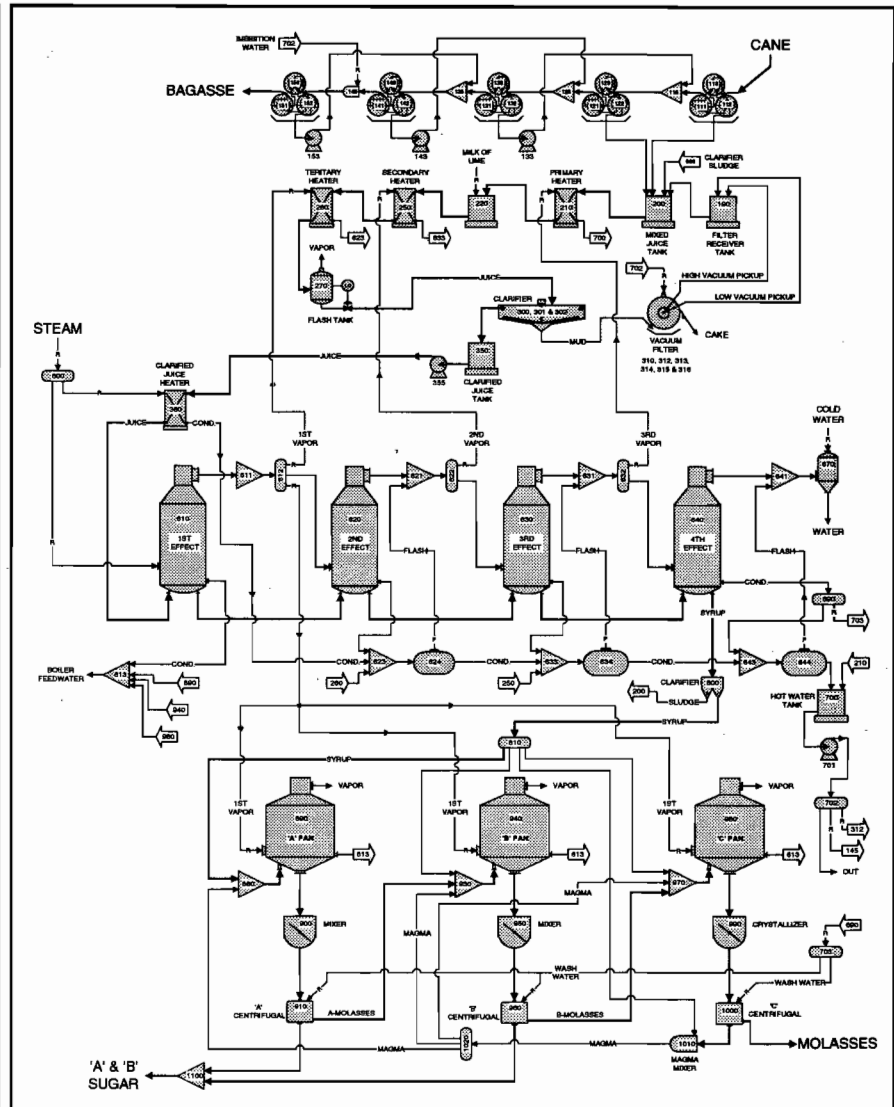
American Crystal Sugar Company, Moorhead, Minnesota USA received acceptance from the Minnesota Pollution Control Agency to use the results from SUGARS to calculate the additional steam required for a molasses desugarization plant that was added to one of their factories. The additional steam was related to the increase in coal needed for the boiler permit.

SUGARS shown at conventions

In 1995, SUGARS was demonstrated at: the American Society of Sugar Beet Technologists (ASSBT) in New Orleans, Louisiana USA, Commission Internationale Technique de Sucrierie (CITS) in Munich, Germany and the International Society of Sugar Cane Technologists (ISSCT) in Cartagena, Colombia. Look for more demonstrations of SUGARS at other meetings in 1997.

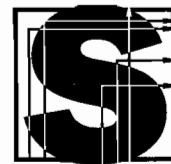
Internet support now available

The Internet can now be used for correspondence and support of SUGARS. The E-mail address for Sugars International is: "sugars@ix.netcom.com".



Model of cane factory with milling, defecation, evaporation and sugar boiling.

Messages sent to this E-mail address will be answered by return E-mail. Also, models can be downloaded to an FTP site for review and models can be sent to users of SUGARS using the Internet. Even updates of SUGARS can be sent using the Internet. Support of SUGARS for sugar companies around the world can be almost as good as if Sugars International is located in the same area as the company using SUGARS.



SUGARS INTERNATIONAL

Sugars International
 5403 S. Florence Ct.
 Englewood, CO 80111 USA
 Tel: 303-770-2630
 Fax: 303-770-2831
 E-mail: sugars@ix.netcom.com