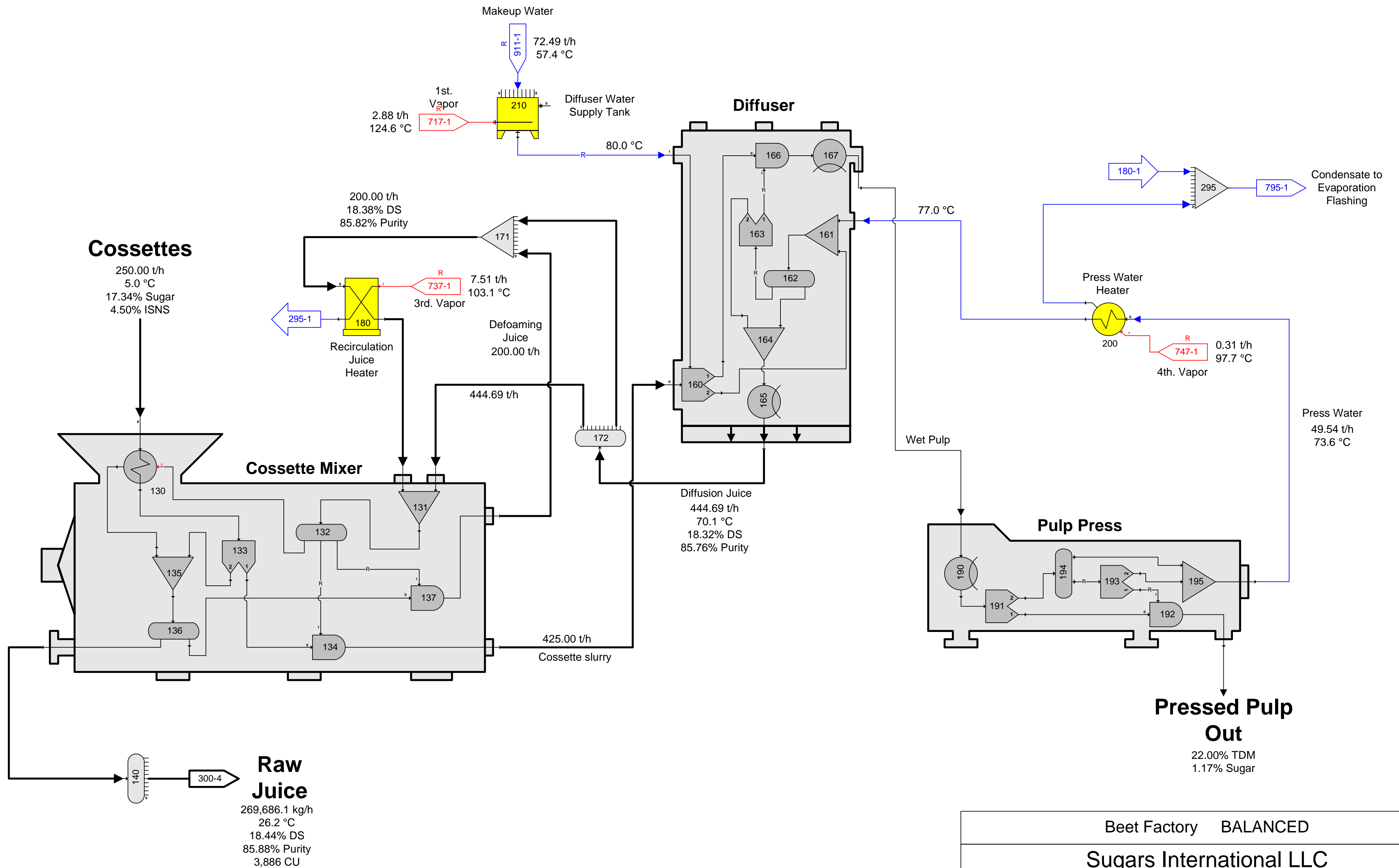
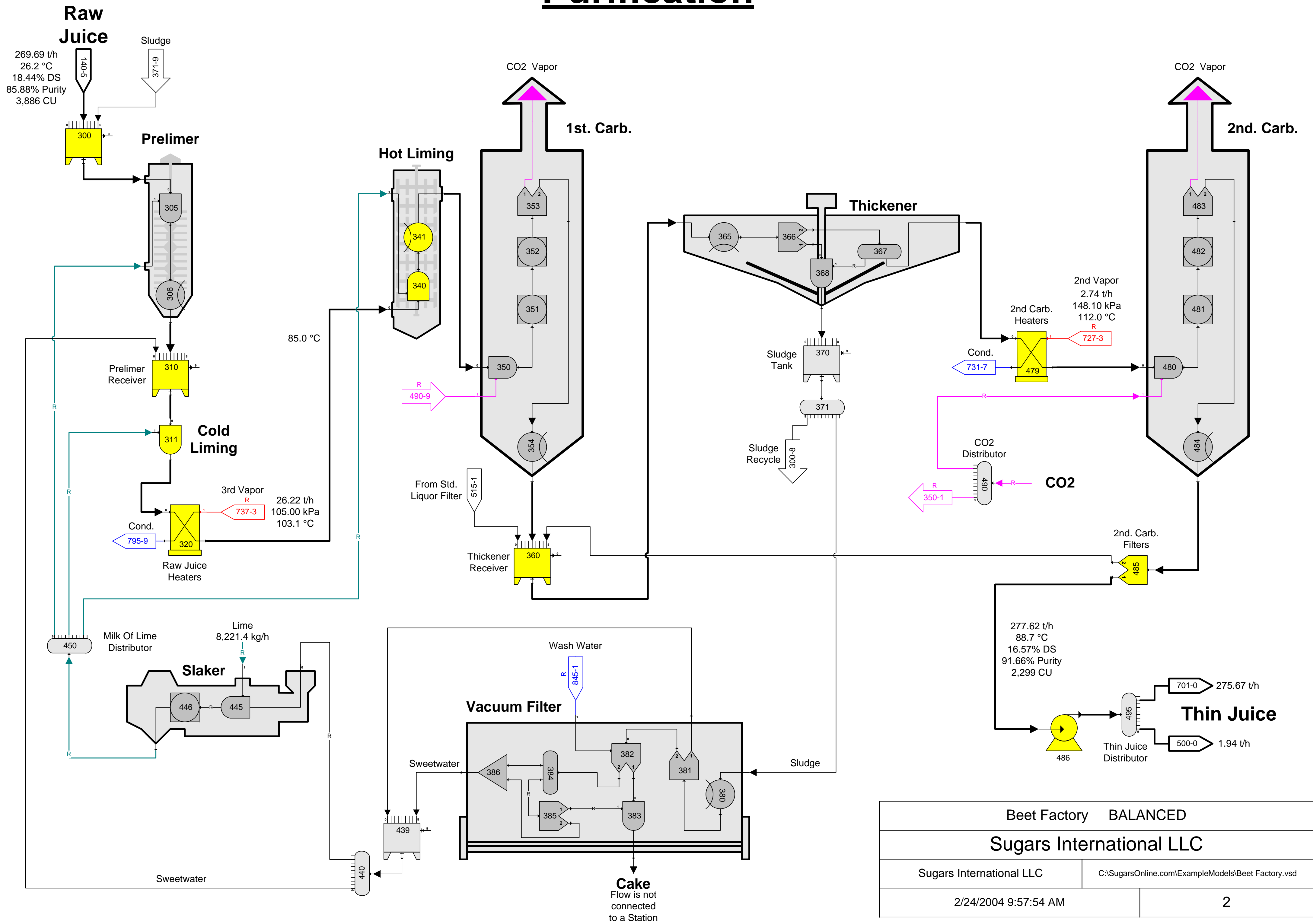


# Diffusion and Pulp Pressing



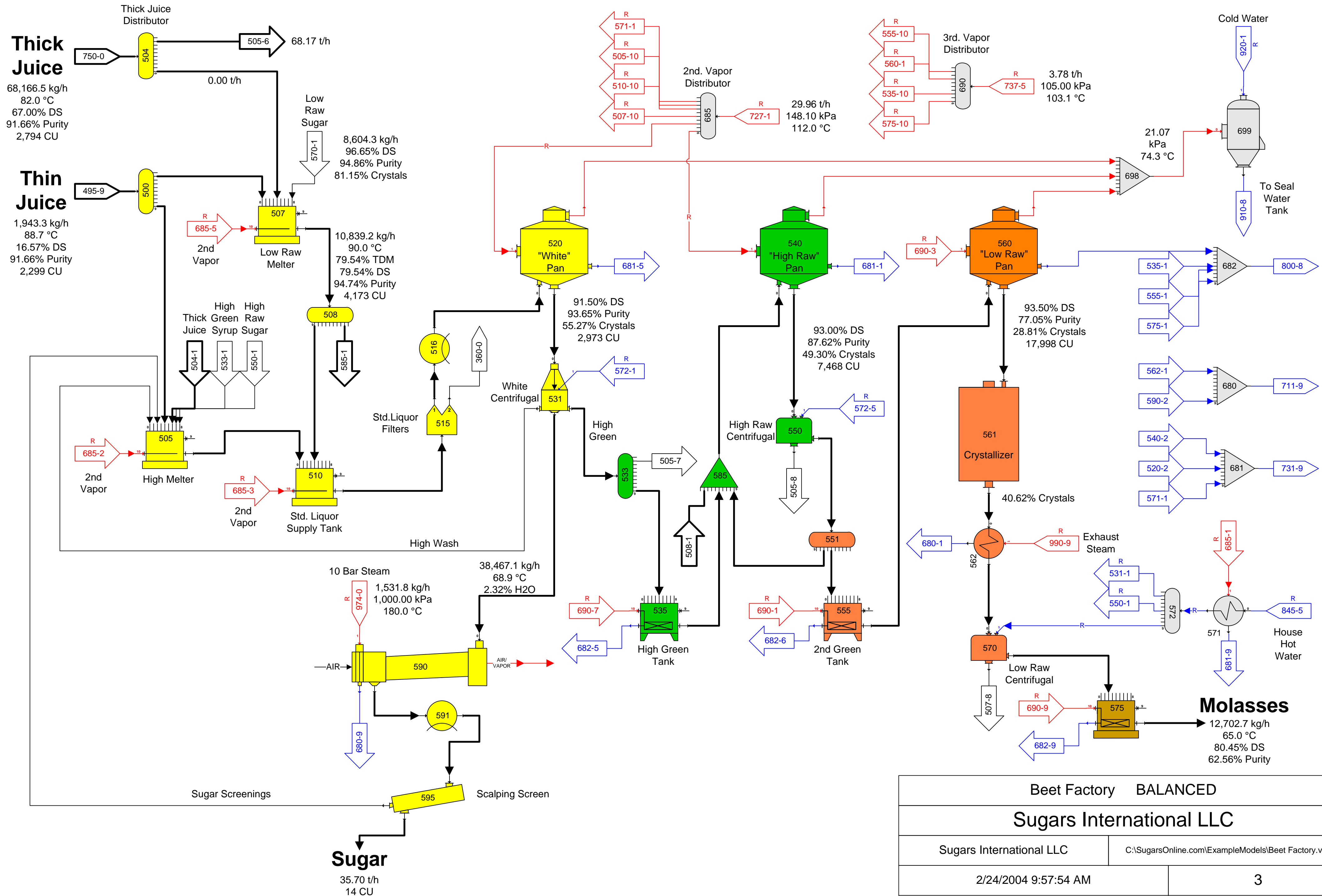
Beet Factory BALANCED	
Sugars International LLC	
Sugars International LLC	C:\SugarsOnline.com\ExampleModels\Beet Factory.vsd
2/24/2004 9:57:54 AM	1

# Purification



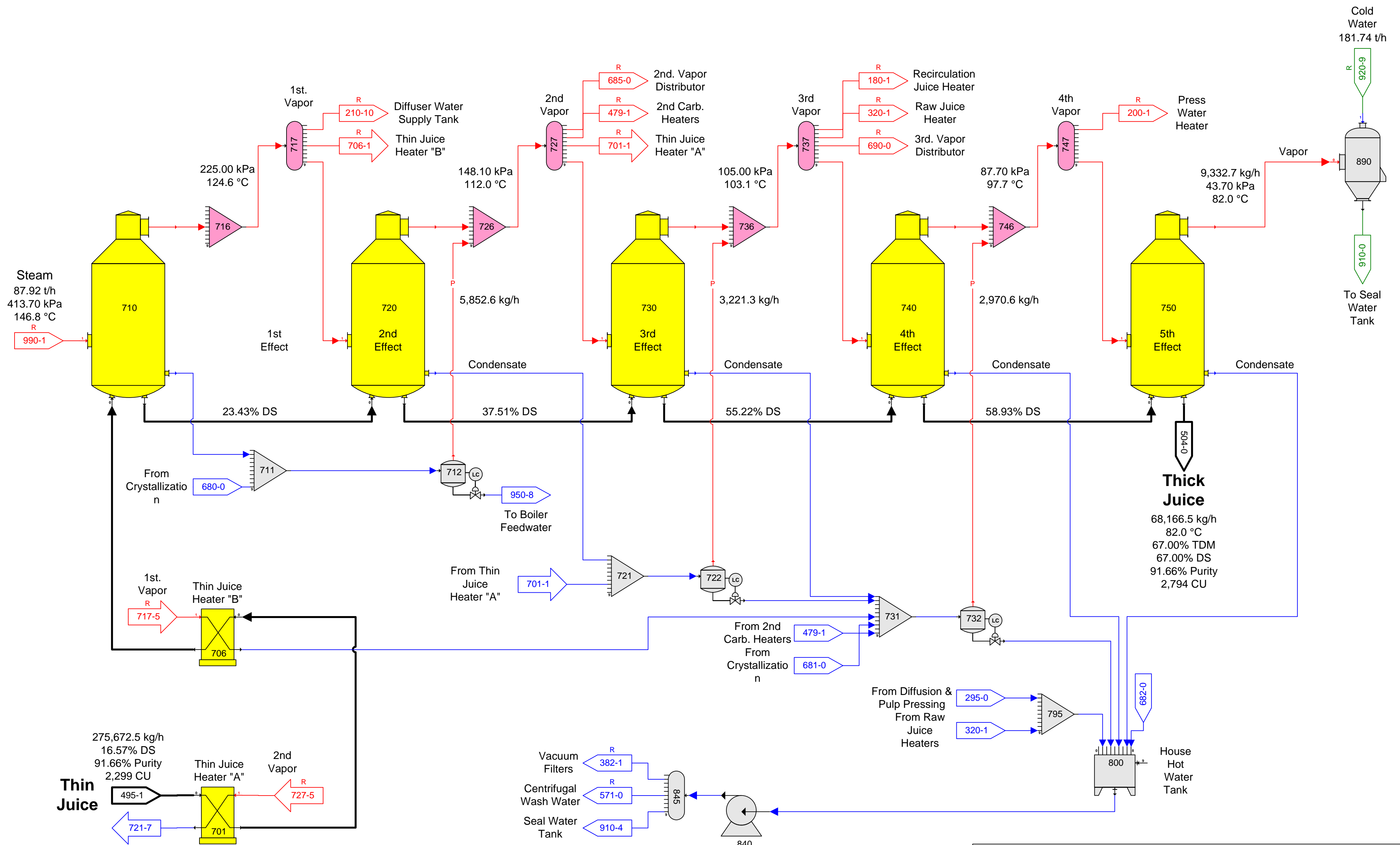
Beet Factory BALANCED	
Sugars International LLC	
Sugars International LLC	C:\SugarsOnline.com\ExampleModels\Beet Factory.vsd
2/24/2004 9:57:54 AM	2

# Crystallization



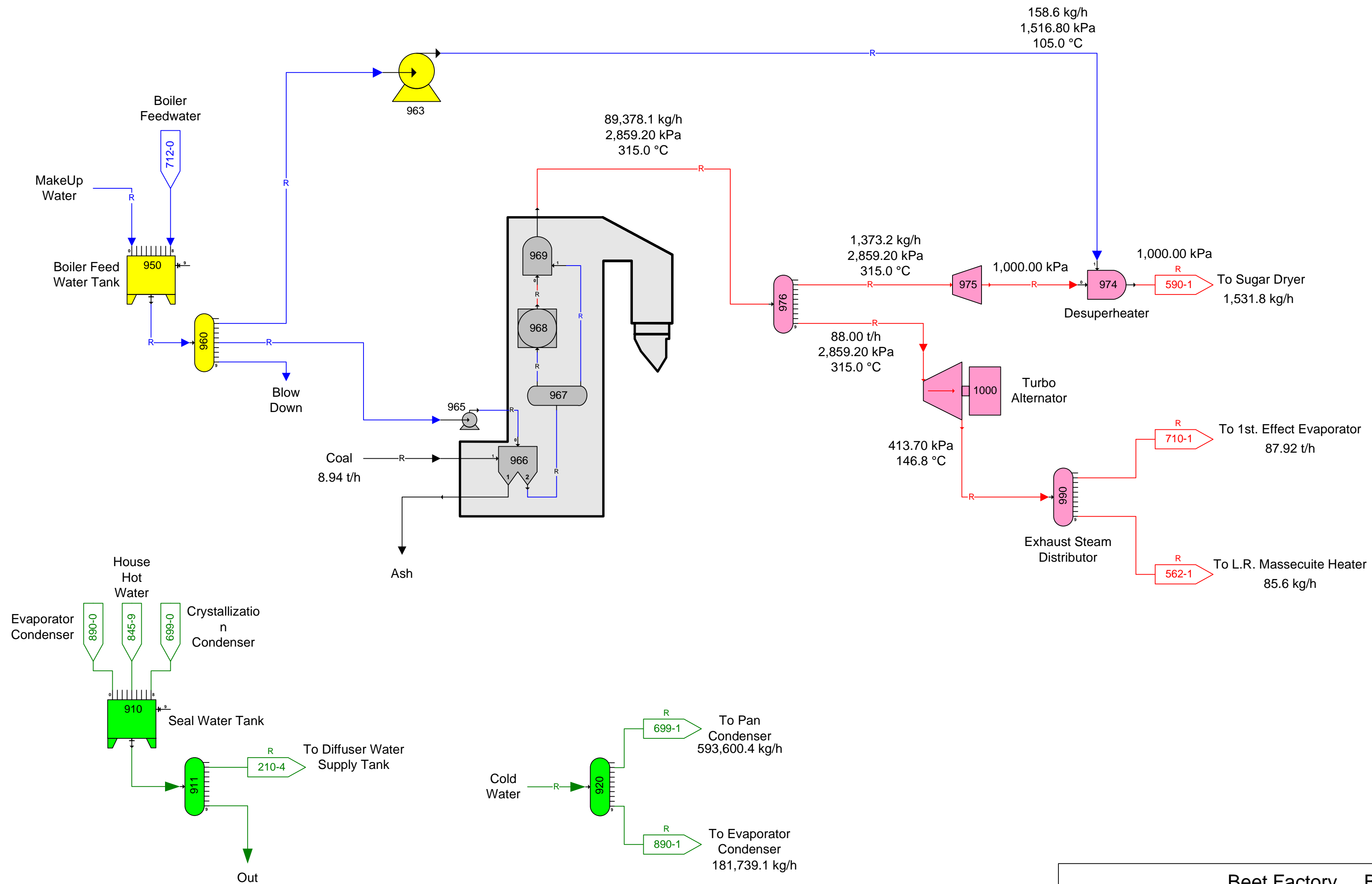
Beet Factory BALANCED	
Sugars International LLC	
Sugars International LLC	C:\SugarsOnline.com\ExampleModels\Beet Factory.vsd
2/24/2004 9:57:54 AM	3

# Evaporation



Beet Factory BALANCED	
Sugars International LLC	
Sugars International LLC	C:\SugarsOnline.com\ExampleModels\Beet Factory.vsd
2/24/2004 9:57:54 AM	4

# Steam and Water Distribution



Beet Factory BALANCED	
Sugars International LLC	
Sugars International LLC	C:\SugarsOnline.com\ExampleModels\Beet Factory.vsd
2/24/2004 9:57:54 AM	5